

# QG series

QG40-KD-010E-AV-CM-5V-UL

## Inclination sensor

2-axis

Non-programmable device

Output: 0,5 - 4,5 V

2-axis horizontal mounting  
1-axis hori-/vertical mounting

Measuring range  
 $\pm 10^\circ$



### General specifications 12279, v20210611

Plastic injection molded housing (Arnite T06 202 PBT black)

40x40x25 mm

Included: 2x M3x25 mm zinc plated steel pozidrive pan head screws, self-tapping (PZ DIN 7500CZ)  
Mounting on flat surface only. Screw with maximum Torque 2 Nm

IP67, IP69K (with IP69K mating connector)

0 - 95% (non condensing, housing fully potted)

approx. 45 gram

5 V dc

Yes

$\leq 10$  mA

-40 .. +80 °C

-40 .. +85 °C

$\pm 10^\circ$

No

0 - 10 Hz ( $\pm 2,5$  Hz)

0,3° typ. (offset excluded)

$\pm 1^\circ$  typ. ( $\pm 3^\circ 2\sigma$ )

$\pm 0,2^\circ$  typ.

$\pm 2\%$  typ., Repeatability 0.1°

0,03°

$\pm 0,02^\circ/\text{K}$  typ.

3.500g

0,5 - 4,5 V Ratiometric

Rload  $\geq 20\text{k}\Omega$ , Cload  $\leq 20$  nF

Yes (max 10 s)

continuous (analog)

not applicable

Housing

Dimensions (indicative)

Mounting

Ingress Protection (IEC 60529)

Relative humidity

Weight

Supply voltage

Polarity protection

Current consumption

Operating temperature

Storage temperature

Measuring range

Centering function

Frequency response (-3dB)

Accuracy (overall @20°C)

Offset error

Non linearity

Sensitivity error

Resolution

Temperature coefficient

Max mechanical shock

Output

Output load

Short circuit protection

Output refresh rate

Programming options

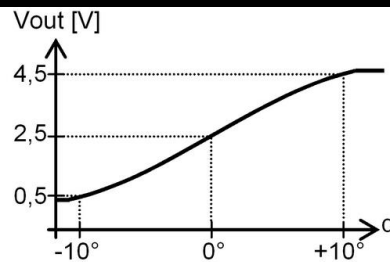
# QG series

QG40-KD-010E-AV-CM-5V-UL

$$U_{out} = 2,5 + 11,52 \cdot \sin(\alpha) [V]$$

output clipping outside measuring range at 0,3 V and 4,7 V approximately

### Transfer characteristic



0° positions drawn in plot at the right.

Horizontal mounting:  
1-axis or 2-axis usage  
Connect output-X and/or output-Y according the plot at the right.

In case of 2-axis usage:  
Tilting one axis will influence the other axis, significant influence (10%) when > 25°.

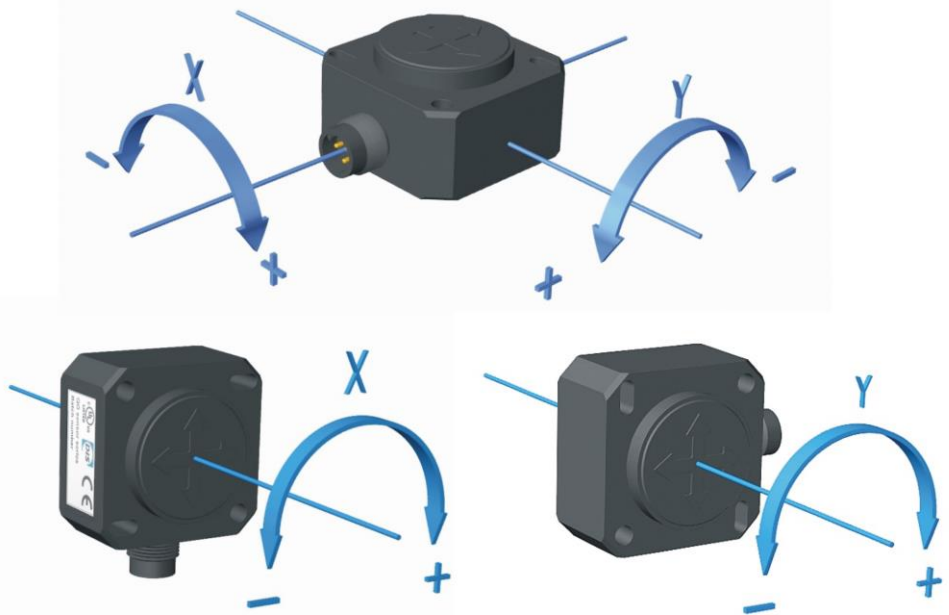
Upside down mounting possible (sensor-nose down)

Vertical mounting:  
1-axis usage only  
Connect output-X and/or output-Y according the plot at the right.

Connector down: Y-output not valid  
Mounting with M12 to top possible

Connector side: X-output not valid  
Mounting with M12 to left possible

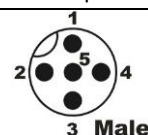
### Measurement orientation



### Connectivity (cable length ±10%)

M12 5p male connector (Glass fibre reinforced grade, contacts CuZn pre-nickeled galv. Au)

- Pin 1: + Supply Voltage
- Pin 2: output Y
- Pin 3: Gnd
- Pin 4: output X
- Pin 5: not connected



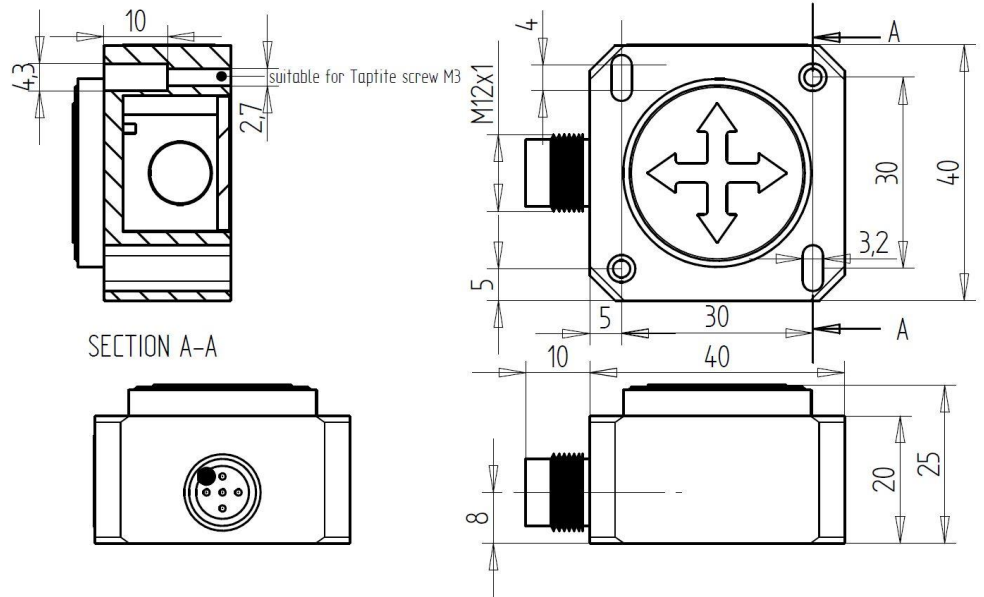
If connected with M12 F (accessory sold by DIS):

- Brown: + Supply Voltage
- White: output Y
- Blue: Gnd
- Black: output X
- Green/yellow: not connected

### Connection

Wire / pin coding

## Mechanical dimensions (indicative only)



## Intended use, UL, Remarks

QG series sensors are intended to measure inclination, acceleration or tilt angle after installing in machines, equipment and systems. Flawless function in accordance with the specifications is ensured only when the device is used within its specifications. This device is not a safety component according to the EU Machine Directive (ISO13849). For full redundancy two devices can be used in the application. Modifications or non-approved use are not permitted and will result in loss of warranty and void any claims against the manufacturer.

UL & c-UL listed product (File number E312057, UL508 standards UL60947-5-2 & CSA-C22,2 No. 14)  
 Product Identity / Category Code Number (CCN): Industrial Control Equipment / NRKH & NRKH7  
 Enclosure rating: type 1, Ambient temperature: max 80 °C (see also datasheet, lowest value applies)  
 Electrical ratings: Intended to be used with a Class 2 power source in accordance with UL1310, max. input Voltage 32V dc (see also datasheet, lowest value applies), max. current 200mA  
 Accessory Cable Assembly: Any UL-listed (CYJV/7) mating connector with mechanical locking, wire thickness of at least 30 AWG (0,05 mm<sup>2</sup>), recommended ≤23 AWG (≥0,25 mm<sup>2</sup>)

As this device is accelerometer-based the sensor is inherent sensitive for accelerations/vibrations. Application specific testing must be carried out to check whether this sensor will fulfil your requirements.