

QG series

QG40N-series

QG40N-KIXv-360-AV-CM-UL

Inclination sensor

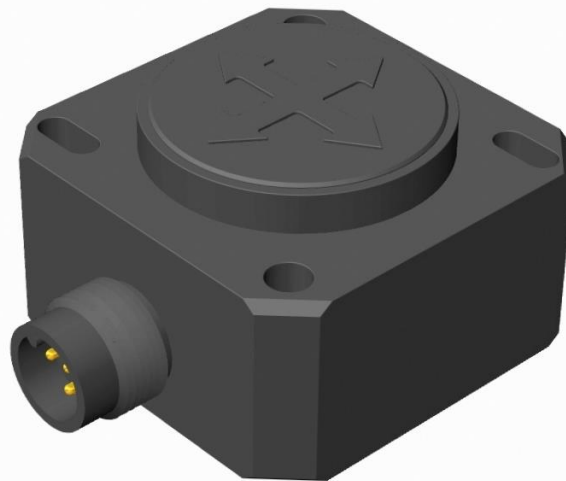
1 axis vertical mounting

Programmable device

Output: 0,5 - 4,5 V

Measuring range programmable
between 1° and 360°

Measuring range
Factory default: ±180°



General specifications 11745B, v20241216

Plastic injection molded housing (Arnite T06 202 PBT black)

40x40x25 mm

Included: 2x M3x25 mm zinc plated steel pozidrive pan head screws, self-tapping (PZ DIN 7500CZ)
Mounting on flat surface only. Screw with care

IP67, IP69K (with IP69K mating connector)

0 - 95% (non condensing, housing fully potted)

approx. 45 gram

6 - 30 V dc

Yes

≤ 15 mA

-40 .. +80 °C

-40 .. +85 °C

Factory default: ±180°

Yes (2,5 V = 0°), range 360°

0 - 10 Hz

0,5° typ.

± 0,2° typ. after centering

± 0,4° typ.

not applicable. Repeatability 0,2°

0,1°

± 0,04°/K typ.

10.000g

0,5 - 4,5 V

Rload ≥20kΩ, Cload ≤20 nF

Yes (max 10 s)

20 ms

by optional QG40N-configurator (measuring range, filtering)

Housing

Dimensions (indicative)

Mounting

Ingress Protection (IEC 60529)

Relative humidity

Weight

Supply voltage

Polarity protection

Current consumption

Operating temperature

Storage temperature

Measuring range

Centering function

Frequency response (-3dB)

Accuracy (overall @20°C)

Offset error

Non linearity

Sensitivity error

Resolution

Temperature coefficient

Max mechanical shock

Output

Output load

Short circuit protection

Output refresh rate

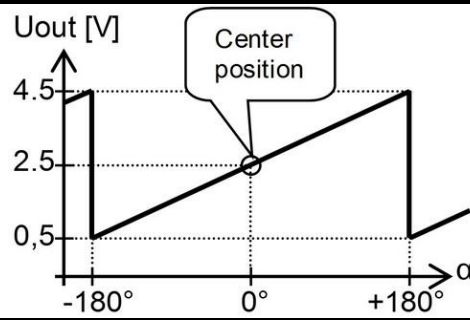
Programming options

QG40N-KIXv-360-AV-CM-UL

$$U_{out} = 2,5 + 2 \cdot (\alpha/180) [V]$$

Centering: eliminate mech. offsets
 Connect center input to ground
 (>0,5sec) within 1 min. after power up.
 Normally the center input should be left unconnected.

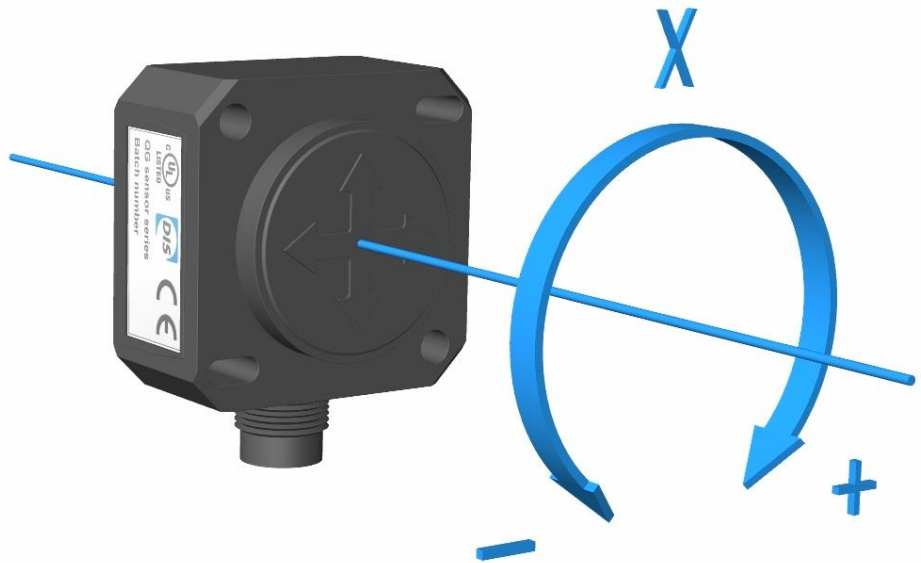
Transfer characteristic



Rotation in vertical plane.

Lateral tilt sensitivity error:
 $< \pm 0,03^\circ$ lateral tilt (typ.)
 Max. lateral tilt: 45°

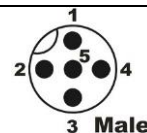
Measurement orientation



Connectivity (cable length $\pm 10\%$)

M12 5p male connector (Glass fibre reinforced grade, contacts CuZn pre-nickeled galv. Au)

- Pin 1: + Supply Voltage
- Pin 2: for factory use only
- Pin 3: Gnd
- Pin 4: output X
- Pin 5: centering



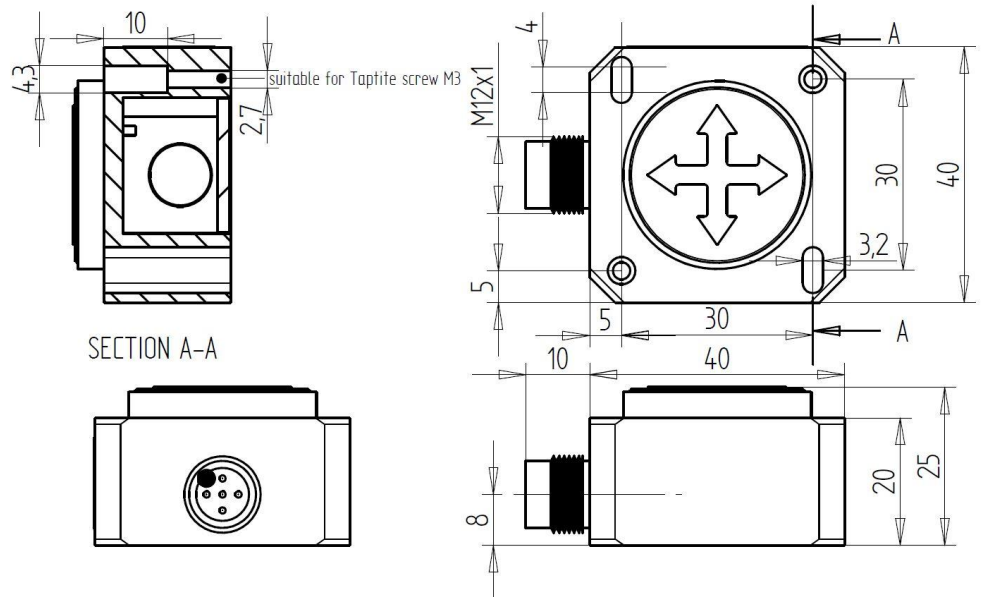
If connected with M12 F (accessoire sold by DIS):

- Brown: + Supply Voltage
- White: for factory use only
- Blue: Gnd
- Black: output X
- Green/yellow: centering

Connection

Wire / pin coding

Mechanical dimensions (indicative only)



Intended use, UL, Remarks

QG series sensors are intended to measure inclination/acceleration/tilt. Flawless function (acc. spec.) is ensured only when used within specifications. This device is not a safety component acc. to EU Machine Directive (ISO13849). For full redundancy two devices can be used. Modifications or non-approved use will result in loss of warranty and void any claims against the manufacturer.

UL & c-UL listed product (File number E312057, UL508 standards UL60947-5-2 & CSA-C22,2 No. 14)
 Product Identity / Category Code Number (CCN): Industrial Control Equipment / NRKH & NRKH7
 Enclosure rating: type 1, Ambient temperature: max 80 °C (see also datasheet, lowest value applies)
 Electrical ratings: Intended to be used with a Class 2 power source in accordance with UL1310,
 max. input Voltage 32V dc (see also datasheet, lowest value applies), max. current 200mA
 Accessory Cable Assembly: Any UL-listed (CYJV/7) mating connector with mechanical locking, wire
 thickness of at least 30 AWG (0,05 mm²), recommended ≤23 AWG (≥0,25 mm²)

As this device is accelerometer-based the sensor is inherent sensitive for accelerations/vibrations.
 Application specific testing must be carried out to check whether this sensor will fulfil your requirements.