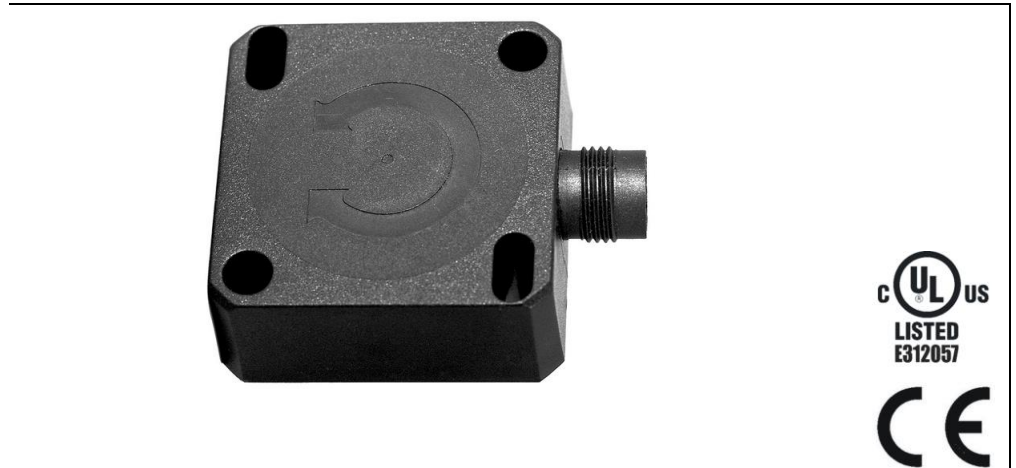


QR series



QR40EMN-090HB-I-CM-UL
Absolute rotary encoder (contactless)
Output 4 - 20 mA
Supply voltage 10 - 32 Vdc
Measuring range 90° (out of 360°)

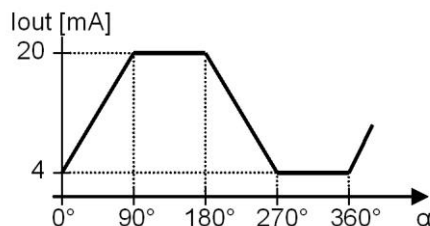


General specifications 12578, v20200323												
Housing	Reinforced plastic injection molded (Celanex 2300 GV3/30 - glass filled PBT, black)											
Dimensions (indicative)	40x40x17 mm											
Mounting	Included: 2x M4x25 stainless steel pozidrive pan head screws, self-tapping (PZ DIN7500CZ)											
Ingress Protection (IEC 60529)	IP67, IP69K											
Relative Humidity	0 - 95% (non condensing, fully potted)											
Weight	approx 50 gr											
Magnet type	11,2 x 5,5 x 8 mm Neodymium/N35/nickel coated/remanention 1,2 T											
Magnet distance to sensor	0 to 10 mm, magnet at front side											
Max. radial magnet misalignment	1 mm Radial Off Axis (< 0,3 mm for minimum non-linearity)											
Direction of magnetization	Axial in 8 mm (Northpole marked)											
Supply voltage	10 - 32 Vdc											
Polarity protection	Yes											
Current consumption	≤ 25 mA (excluding output signal)											
Operating temperature	-40 to 85°C											
Storage temperature	-40 to 85°C											
Measuring range	90° (out of 360°)											
Programmable center position	No											
Accuracy												
Resolution	12 bit over 360° (min. step 0,09°)											
Sensitivity error	±0.5% typ. (@20°C), ±1% typ. (full Temp. range)											
Offset error	Magnet + Sensor: <3° typ. (with perfect external magnet positioning)											
Non linearity	< ± 1° in magnet alignment range											
Repeatability	0,13°											
Response time	< 4 ms											
Max speed	100 rpm											
Output signal	4 - 20 mA											
Short circuit protection	Yes (T<55°C), Max 10 s (T>55°C)											
Output load resistor	Rload ≤ 50*Vs - 250 [Ω] (Eg: Vs = 24 V: Rload ≤ 950 Ω)											
Connection (length ±10%)	M12 5p male connector (Glass fibre reinforced grade, contacts CuZn pre-nickeled galv. Au)											
Pinout M12 connector	<table border="0"> <tr> <td>Pin 1:</td> <td>+ Supply voltage</td> <td rowspan="5"> </td> </tr> <tr> <td>Pin 2:</td> <td>not connected</td> </tr> <tr> <td>Pin 3:</td> <td>Gnd</td> </tr> <tr> <td>Pin 4:</td> <td>Output</td> </tr> <tr> <td>Pin 5:</td> <td>not connected</td> </tr> </table>	Pin 1:	+ Supply voltage		Pin 2:	not connected	Pin 3:	Gnd	Pin 4:	Output	Pin 5:	not connected
Pin 1:	+ Supply voltage											
Pin 2:	not connected											
Pin 3:	Gnd											
Pin 4:	Output											
Pin 5:	not connected											

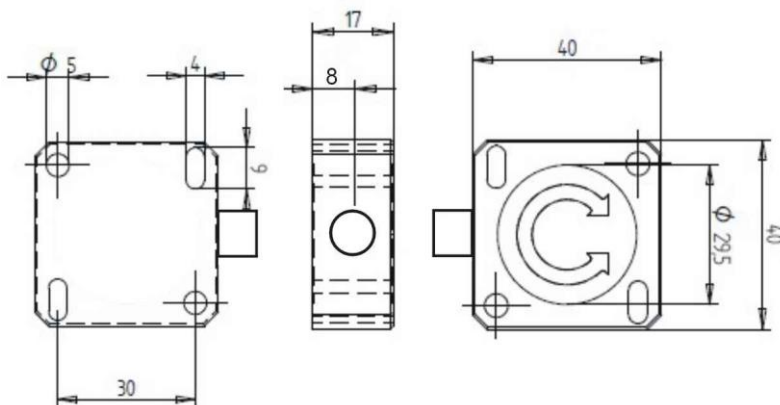
QR40EMN-090HB-I-CM-UL

Output approx. 22mA when magnetic field outside specifications

Transfer characteristic



Dimensions (indicative only)



Intended use & UL

Intended use:

QR series sensors are intended to measure rotation after installing in machines, equipment and systems. Flawless function in accordance with the specifications is ensured only when the device is used within its specifications.

This device is not a safety component according to the EU Machine Directive (ISO13849).

Modifications or non-approved use are not permitted and will result in loss of warranty and void any claims against the manufacturer.

UL:

UL certificate: UL File number: E312057

UL & c-UL listed product (standards UL60947-5-2 & CSA-C22,2 No. 14)

Product Identity / Category Code Number (CCN): Industrial Control Equipment / NRKH & NRKH7

Enclosure / Temperature rating: Enclosure type 1 / Temperature -40° . .+85°C

Electrical rating: Intended to be used with a Class 2 power source in accordance with UL1310

Electrical ratings: max. input Voltage 32V dc, max. current 50mA

Magnet drawn in $\alpha=0^\circ$ position.

While rotating the magnet clockwise α increases.

The magnet's north pole (N) is indicated.

Magnet orientation

