

QG series

H-series

QG30-KI-030H-AV-K-5V

Inclination sensor

1 axis

Non-programmable device

Output: 0,5 - 4,5 V

horizontal/vertical mounting

For demanding applications

Measuring range
± 30°



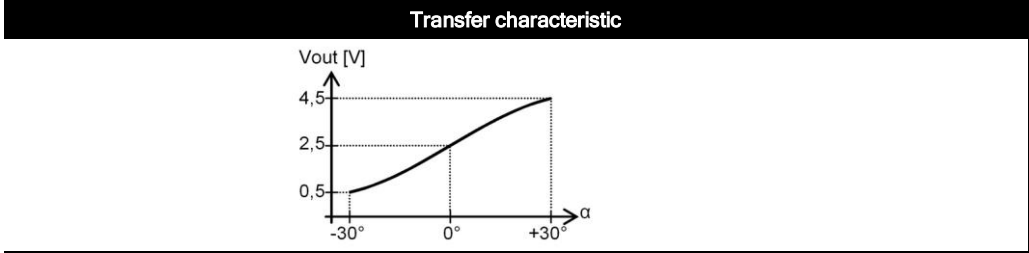
General specifications 04711, v20180111

Housing	Plastic injection molded housing (Arnite T06 202 PBT black)
Dimensions (indicative)	30x30x15 mm
Mounting	Included: 2x M3x16 mm zinc plated steel pozidrive pan head screws, self-tapping (PZ DIN 7500C)
Ingress Protection (IEC 60529)	IP67
Relative humidity	0 - 100%
Weight	approx. 15 gram (cable excluded)
Supply voltage	5 V dc
Polarity protection	No
Current consumption	≤ 30 mA
Operating temperature	-25 .. +80 °C
Storage temperature	-25 .. +80 °C
Measuring range	± 30°
Centering function	No
Frequency response (-3dB)	0 - 18 Hz (±10 Hz)
Accuracy (typ. and/or 2σ)	overall 0,6° typ. (offset excluded)
Offset error	< ± 1° typ. (< ± 3° max.)
Non linearity	< ± 0,4°
Sensitivity error	< ± 2% typ. (< ± 3.5% max.)
Resolution	0,01°
Temperature coefficient	± 0,01°/K typ
Max mechanical shock	20.000g
Output	0,5 - 4,5 V Ratiometric
Output load	Rload ≥20kΩ, Cload ≤20 nF
Short circuit protection	Yes (max 10 s)
Repeatability	0,1°
Programming options	not applicable

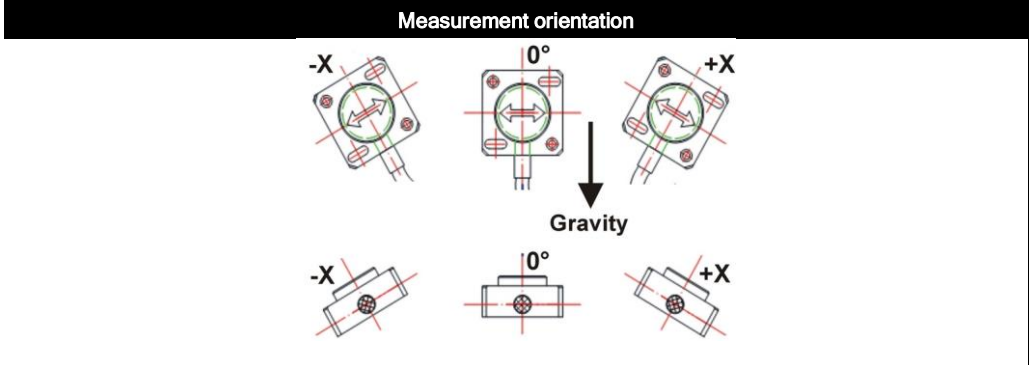
QG series

QG30-KI-030H-AV-K-5V

$U_{out} = 2,5 + 4 \cdot \sin(\alpha) \text{ [V]}$
 output clipping outside measuring range at 0,3 V and 4,7 V approximately

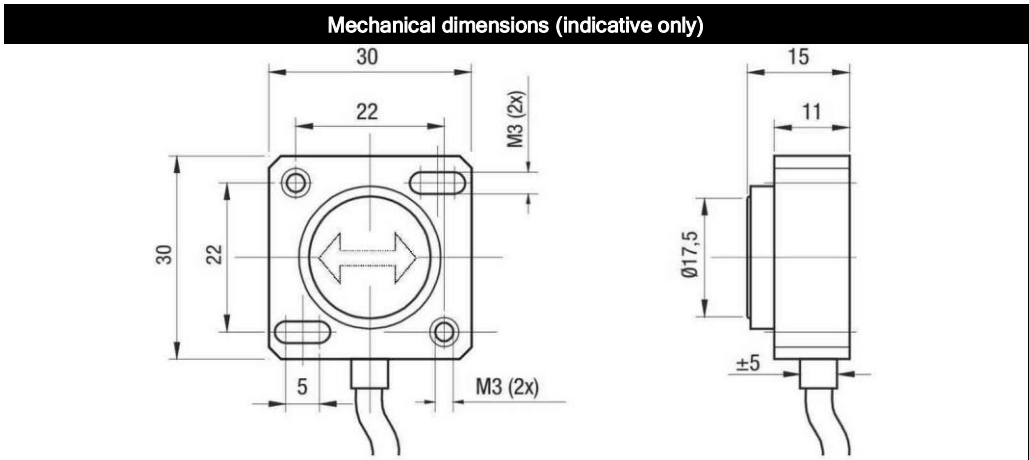


The QG30 can be used in both vertical and horizontal mounting position.



Connection
 Wire / pin coding

Connectivity (length ±10%)
 2 m PVC/PVC Liyy, black Ø 4,6 mm, wires: 3x0,34 mm² Sensor colors (static usage)
 Brown + Supply Voltage
 Black Output
 Blue Gnd



Remarks
 As this device is accelerometer-based the sensor is inherent sensitive for accelerations/vibrations. Application specific testing must be carried out to check whether this sensor will fulfil your requirements.