

QG series

H-series

QG30-KI-090H-AI-K

Inclination sensor

1 axis

Non-programmable device

Output: 4 - 20 mA

horizontal/vertical mounting

For demanding applications

Measuring range
± 90°



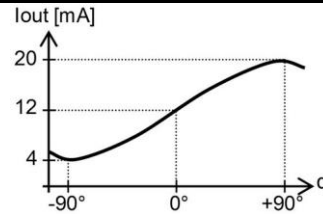
General specifications 04551, v20180416

Housing	Plastic injection molded housing (Arnite T06 202 PBT black)
Dimensions (indicative)	30x30x15 mm
Mounting	Included: 2x M3x16 mm zinc plated steel pozidrive pan head screws, self-tapping (PZ DIN 7500C)
Ingress Protection (IEC 60529)	IP67
Relative humidity	0 - 100%
Weight	approx. 15 gram (cable excluded)
Supply voltage	10 - 30 V dc
Polarity protection	Yes
Current consumption	≤ 30 mA (excluding output signal)
Operating temperature	-25 .. +80 °C
Storage temperature	-25 .. +80 °C
Measuring range	± 90°
Centering function	No
Frequency response (-3dB)	0 - 18 Hz (±10 Hz)
Accuracy (typ. and/or 2σ)	overall 0,9° typ. (offset excluded) (-45°...+45°)
Offset error	< ± 1° typ. (< ± 3° max.)
Non linearity	< ± 0,6° (-45°...+45°)
Sensitivity error	< ± 2% typ. (< ± 3.5% max.)
Resolution	0,01°
Temperature coefficient	± 0,01°/K typ
Max mechanical shock	20.000g
Output	4 - 20 mA
Output load	Rload ≤ (50*Vs-300) [Ω] (Eg: Vs = 24 V: Rload ≤ 900 Ω)
Short circuit protection	Yes (max 10 s)
Repeatability	0,1°
Programming options	not applicable

QG30-KI-090H-AI-K

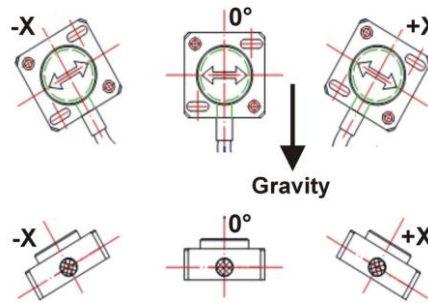
$I_{out} = 12 + 8 \cdot \sin(\alpha)$ [mA]
 Outside measuring range sensor transfer formula is valid until clip level of approximately 2.5mA & 22.5mA

Transfer characteristic



The QG30 can be used in both vertical and horizontal mounting position.

Measurement orientation



Connectivity (length ±10%)

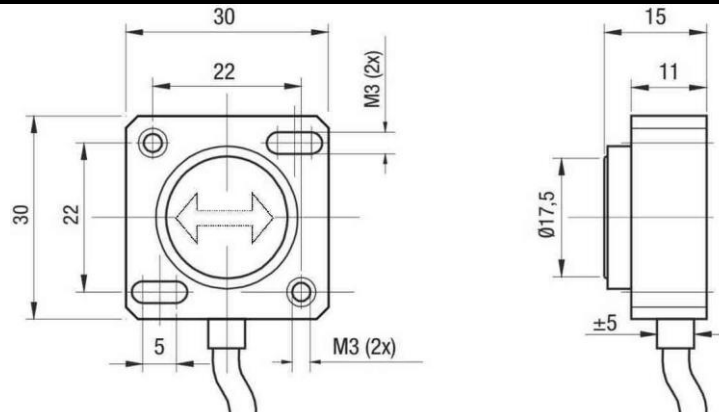
2 m PVC/PVC Liyy, black Ø 4,6 mm, wires: 3x0,34 mm² Sensor colors (static usage)

Connection

Wire / pin coding

Brown	+ Supply Voltage
Black	Output
Blue	Gnd

Mechanical dimensions (indicative only)



Remarks

As this device is accelerometer-based the sensor is inherent sensitive for accelerations/vibrations. Application specific testing must be carried out to check whether this sensor will fulfil your requirements.