

# QR series



QR30-360MI-CK
<b>Incremental rotary encoder (contactless)</b>
Output 128ppr A/B pulse: push-pull 0,7V - (Vsupply-0,7V)
Supply voltage 8 - 30V dc
Measuring range 360°



General specifications 11491, v20181119	
Housing	Quadro30: PBT black
Dimensions (indicative)	30x30x15 mm
Mounting	2x steel zinc plated M3x16 mm screws
Ingress Protection (IEC 60529)	IP67
Weight	approx 15 gr (excl. cable)
Magnet type	11,2 x 5,5 x 8 mm Neodymium/N35/nickel coated/remanention 1,2 T included
Magnet distance to sensor	0 to 2 mm, magnet at rear (potting) side, see magnet distance picture on page 2
Max. radial magnet misalignment	1 mm Radial Off Axis
Direction of magnetization	Axial in 8 mm (Northpole marked with red dot)
Supply voltage	8 - 30V dc
Polarity protection	Yes
Current consumption	≤ 25 mA
Operating temperature & humidity	-25 to 80°C, 0 to 100% RH
Storage temperature	-25 to 85°C
Measuring range	360°
Programmable center position	No
Accuracy @20°C (2σ)	
Resolution	128 pulses/rev. factory programmed
Max offset error	Not applicable
Non linearity	Not applicable
Repeatability	Not applicable
Response time	not applicable
Max speed	30000 rpm
Output signal	A/B pulse: push-pull 0,7V - (Vsupply-0,7V)
Short circuit protection	No
Output load resistor	≥ 500 Ω
Connection (length ±10%)	Cable 2 m PVC/PVC Liyy, black Ø 4,6 mm, wires: 4x0,25 mm² Sensor colors (static usage)
Wire coding	Brown + Supply voltage Black A output Blue Gnd White B output

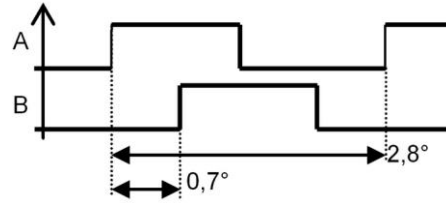
# QR series



## QR30-360MI-CK

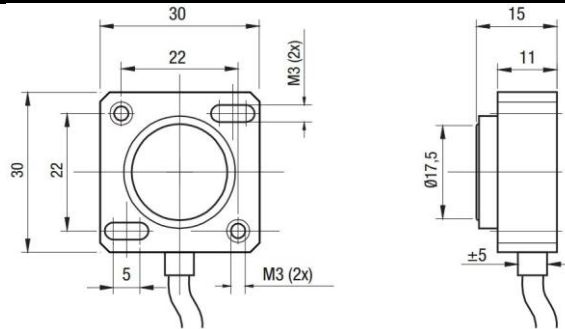
A/B pulse: push-pull  
 $V_{out} = 0,7V - (V_{supply} - 0,7V)$   
 A leads B rotating clockwise  
 (magnet side view)

## Transfer characteristic



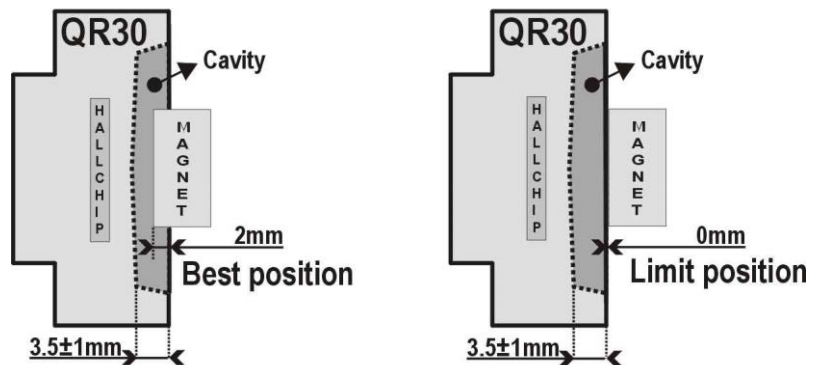
## QR30-360MI-CK

## Dimensions (indicative only)



## QR30-360MI-CK

## Magnet distance (side view)



## QR30-360MI-CK

## Magnet orientation

Rear view

Magnet surface to sensor: 11,2 x 8mm  
 Magnet height: 5,5mm

