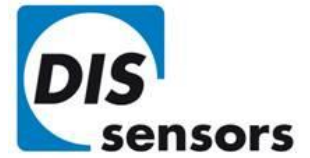


QR series



QR46-090HB-I-P0,1CS3p

Absolute rotary encoder (contactless)


Output
4 - 20 mA

Supply voltage
10 - 32 Vdc

Measuring range
90° (±45°)



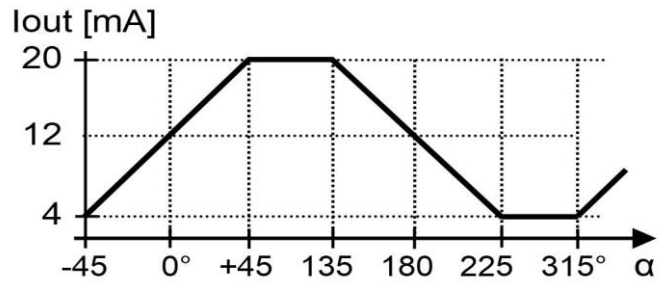
Housing
Dimensions (indicative)
Mounting
Ingress Protection (IEC 60529)
Relative Humidity
Weight
Shaft
Shaft type
Shaft bearing
Shaft length
Supply voltage
Polarity protection
Current consumption
Operating temperature
Storage temperature
Measuring range
Programmable center position
Accuracy
Resolution
Sensitivity error
Offset error
Non linearity
Repeatability
Response time
Max speed
Output signal
Short circuit protection
Output load resistor
Connection (length ±10%)
Wire coding

General specifications 12950, v20220829	
Q46: PBT black with metal plate	
40.5x63x28 mm, shaft excluded.	
Mounting holes in bracket for 2x M4 (screws not included)	
IP66	
0 - 95% (non condensing, fully potted)	
approx 70 gr (cable excluded)	
Stainless steel Ø 6 mm	
D-type 4,6mm with Ø2mm hole (optional lever compatible with Elobau lever)	
Polyamide (glass-filled), Radial force < 1Nm, Axial force < 8N (push & pull)	
13,65 mm w.r.t. mounting surface	
10 - 32 Vdc	
Yes	
≤ 25 mA	
-25 to 80°C	
-25 to 85°C	
90° (±45°)	
No, use slot holes to adjust 0° point during mounting	
12 bit over 360° (min. step 0,09°)	
±0.5% typ. (@20°C), ±1% typ. (full Temp. range)	
± 7°	
< ± 1°	
0,13°	
< 4 ms	
15 rpm	
4 - 20 mA	
Yes (T<55°C), Max 10 s (T>55°C)	
Rload ≤ 50*Vs - 300 [Ω]	
Pigtail cable: 0,1 m TPE/PP Li9y12y, black ø5,2 mm, wires: 3x0,5 mm², connector AMP superseal 1.5 series 3-pole Cap housing (=male) (p/n 282105-1) Tab contacts (p/n 183036-1) with wire seals (p/n 281934-4) and rubber boot (p/n 880811-2)	
Pin 1: (Black1) Gnd Pin 2: (Black2) Supply Voltage Pin 3: (Black3) Output	 Frontview

QR series

QR46-090HB-I-P0,1CS3p

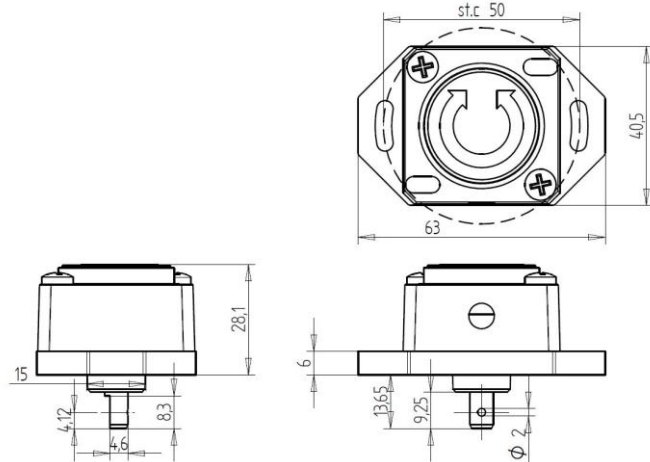
Transfer characteristic



CCW from 0°:
output decreases

CW from 0°:
output increases

Dimensions (indicative only)



Optional accessories

Optional lever:
Order code DIS: 15050



Optional lever fixing ring:
Order code DIS: 15101
(not required for proper mounting of lever)



Product Picture

