

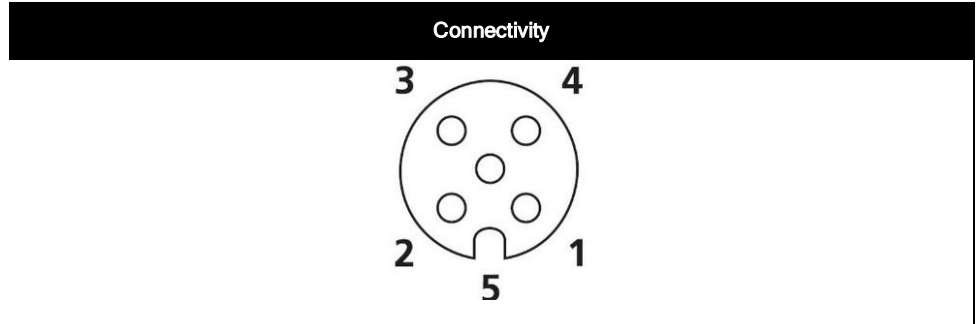
Connector M12 Female 5p plastic
Connector M12 to screw terminals
5-pole female
straight



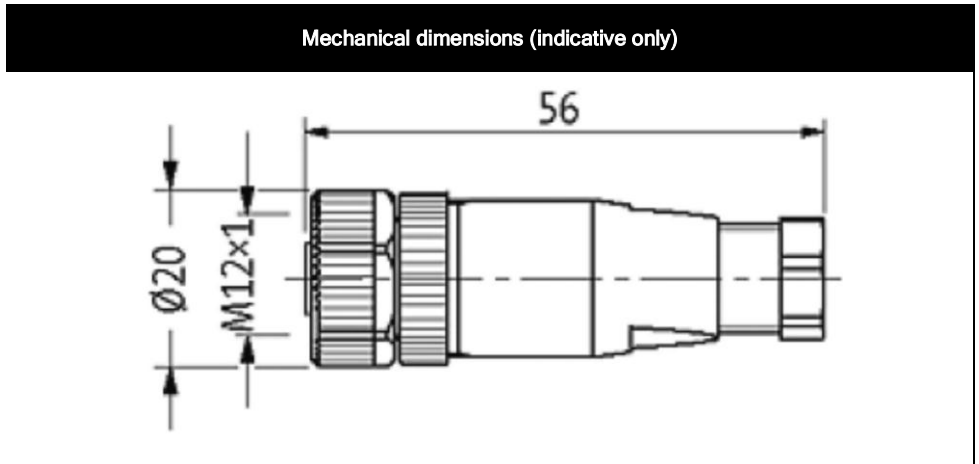
Connector M12 Female 5p plastic	
Connector	
Type	
Wire connection	
Material	
Size	
Number of poles	
Mounting	
Sealing range	
Connectable conductor	
Temperature range	
Ingress protection	
Certifications	
UL Listed	
Electrical data	
Voltage rating	
Current rating	
Environmental	
Resistance	

General specifications v20150902	
	Female
	screw terminal assembling
	Polycarbonate
	M12
	5
	straight
	6..8 mm
	max. 0,75 mm ²
	-25° . . . +85°C
	IP65 en IP67 when pugged and screwed down
	UL recognized
	max. 125V AC/DC
	max. 4A
	material resistance should always be checked in the application involved

Connector M12 Female 5p plastic
Contact layout



Connector M12 Female 5p plastic



Connector M12 Female 5p plastic

Order code	Description
11723	CONN.M12F 5P screwterminal plastic