

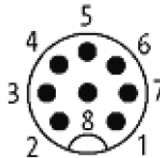
Connector M12 Female 8p plastic
Connector M12 to screw terminals
8-pole female
straight



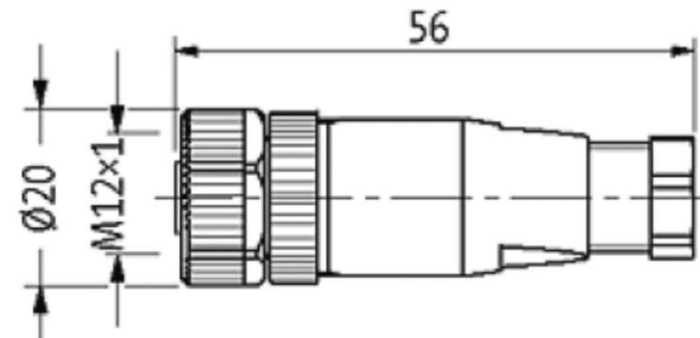
Connector M12 Female 8p plastic
Connector
Type
Wire connection
Material
Size
Number of poles
Mounting
Sealing range
Connectable conductor
Temperature range
Ingress protection
Certifications
UL Listed
Electrical data
Voltage rating
Current rating
Environmental
Resistance

General specifications v20150611	
Type	Female
Wire connection	screw terminal assembling
Material	Polycarbonate
Size	M12
Number of poles	8
Mounting	straight
Sealing range	6..8 mm
Connectable conductor	max. 0,5 mm ²
Temperature range	-25° . . . +85°C
Ingress protection	IP65 en IP67 when pugged and screwed down
Certifications	
UL Listed	no
Electrical data	
Voltage rating	max. 60V AC/DC
Current rating	max. 2A
Environmental	
Resistance	material resistance should always be checked in the application involved

Connector M12 Female 8p plastic
Contact layout

Connectivity


Connector M12 Female 8p plastic

Mechanical dimensions (indicative only)


Connector M12 Female 8p plastic

Order code	Description
11715	CONN.M12F 8P screwterminal plastic