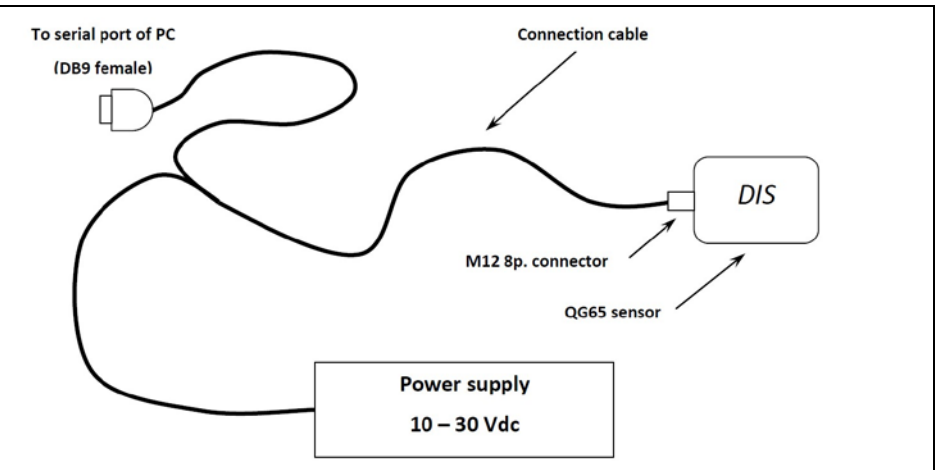


QG65/76 series configurator
Configurator QG65 / 76 configurator
D-SUB 9-pole female
M12 8p female



QG65/76 series configurator
Configurator
Type
Purpose
Features
Manual
Connection
Length
Data rate
Material
Software for Windows
Temperature range
Humidity
Ingress protection
Installation disk
Certifications
UL listed
Electrical data
Interface
External power
Environmental
Order code
Optional
Optional RS232 protocol

General specifications v20180525	
	Configurator connection tool
	Configuration of QG65 / 76 analog output sensors
	See manual for details
	Download from DIS website: http://dis-sensors.com/media/downloads/Downloads/QG65_configurator_manual_v1.1.pdf
D-SUB 9-pole Female:	connect to PC, optional USB
M12 8p Female:	connect to sensor
2 loose wires:	red wire to Vcc; black wire to Gnd
	1,5m
	RS232 38400, n, 8, 1
	PUR/PP
	Download from DIS website: https://dis-sensors.com/en/downloads/software
	+5°...+40°C
	0-80% RH non-condensing
	IP40
	included
	No
	RS232 serial interface (Rx & Tx only)
	10-30V dc (not included)
	Only for non-industrial permanent use
	10855 QG65 configuration cable
	USB to RS232 adapter cable, order code 11809
	On request available